

STYLE 40 DUPLEX

CARATTERISTICHE - FEATURES

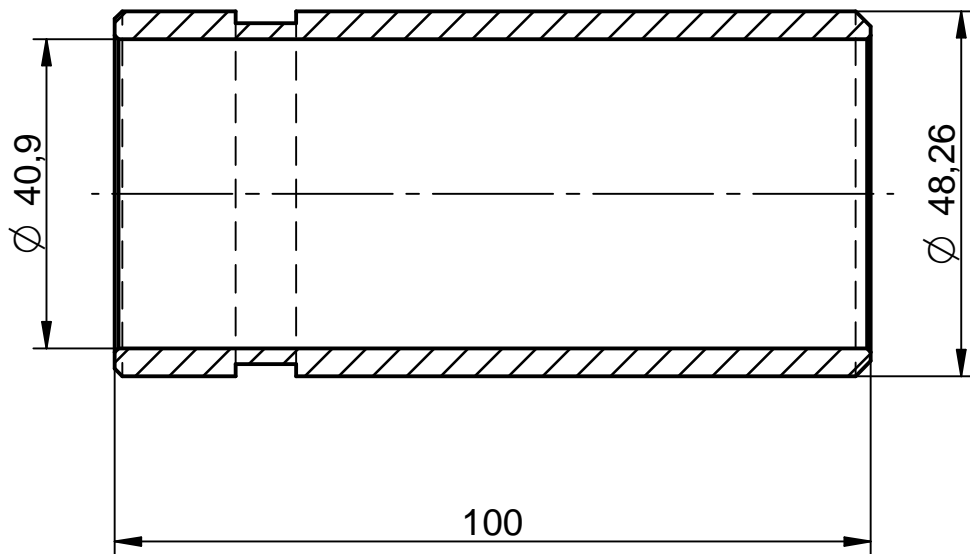
Tipo - Type	Tronchetto Victaulic – a saldare <i>Victaulic – weld pipe</i>
Materiale - Material	Acciaio DUPLEX (tubo senza saldatura) <i>DUPLEX Stainless Steel (non welded pipe)</i>

Codice Code	Descrizione Description	Misura Size	Ø est. Ext. Ø mm
VIC040DUPVS048	Tronchetto Victaulic-saldare in duplex Style 40DX S40/DX Duplex Victaulic – weld pipe Style 40DX S40/DX	1" 1/2	48,3
VIC040DUPVS060	Tronchetto Victaulic-saldare in duplex Style 40DX S40/DX Duplex Victaulic – weld pipe Style 40DX S40/DX	2"	60,3
VIC040DUPVS089	Tronchetto Victaulic-saldare in duplex Style 40DX S40/DX Duplex Victaulic – weld pipe Style 40DX S40/DX	3"	88,9



ATTENZIONE: I tronchetti STYLE 40 in DUPLEX sono utilizzabili solo con giunti originali VICTAULIC modello STYLE 77 e STYLE 77 DUPLEX
 ATTENTION: The pipes STYLE 40 made in DUPLEX must be used only with the original VICTAULIC couplings model STYLE 77 and STYLE 77 DUPLEX.

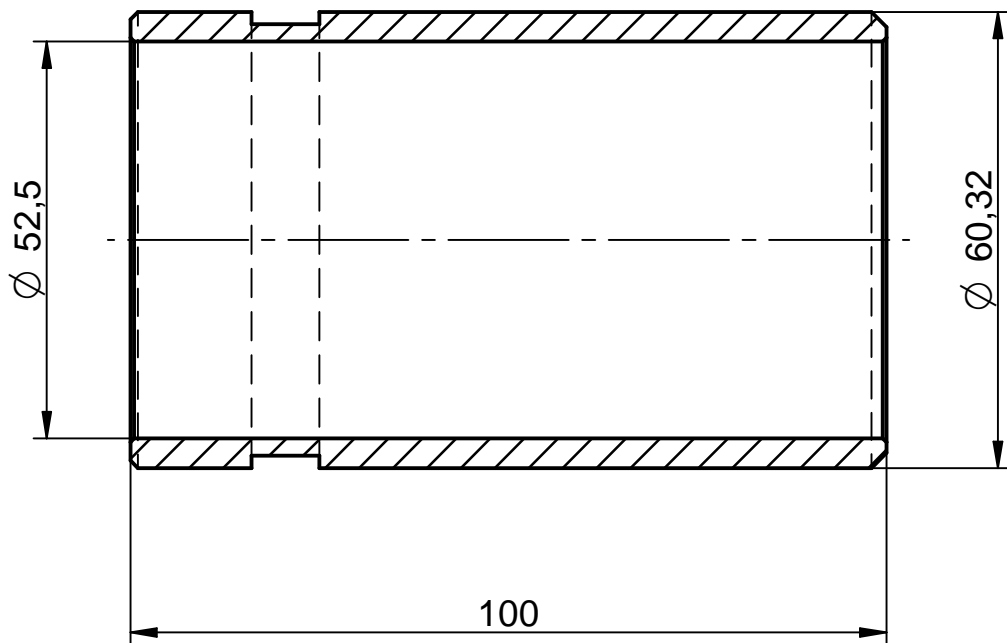


STYLE 40 DUPLEX





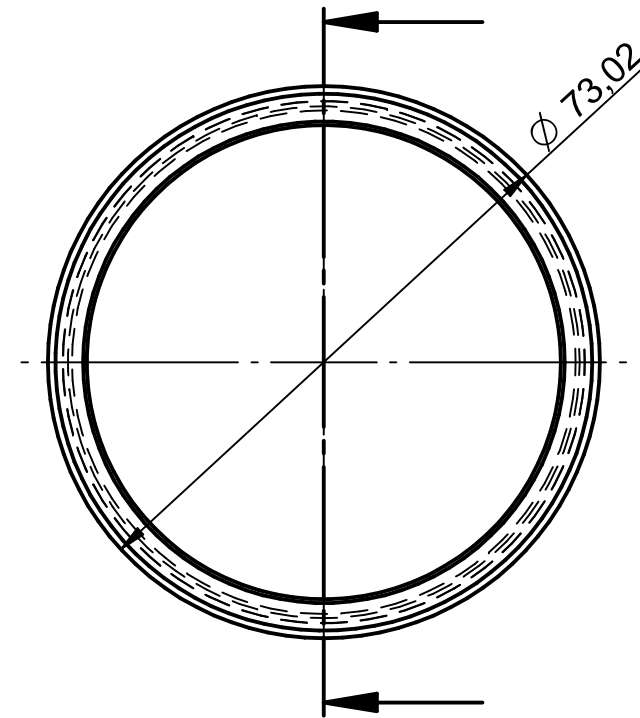
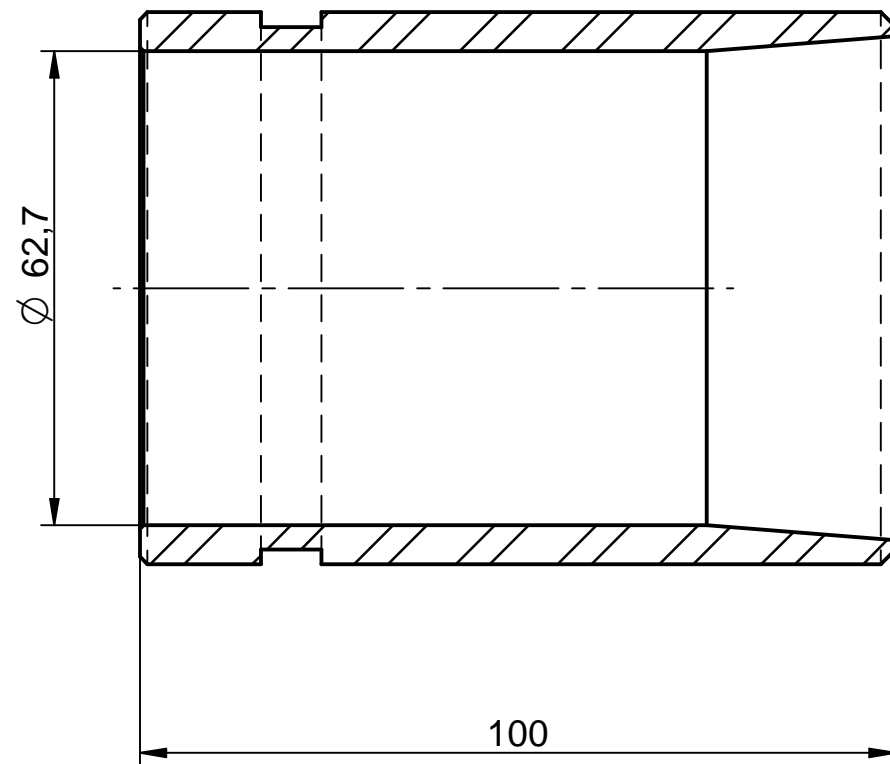
Materiale : TUBO S/S Ø48,26 x 3,68 SAF2205 DUPLEX

POS.	CODE	DENOMINATION			QUANTITY	MATERIALS
ALL DIMENSIONS MILLIMETERS	ALL SURFACES FINISH ROUGHNESS IN Ra μm	GENERAL TOLLERANCES UNLESS OTHERWISE SPECIFIED UNI-EN 22768-mK UNI-EN 22768-c			NOT QUOTED FILLET R=0.3 CHAMFER 0.3x45°	
SIMILAR TO	CRITICAL INDEX	WORK ORDER	JOB	QUANTITY	DRAWN DATE 29/06/2020 BY Tecnico	APPROVED DATE - BY -
DENOMINATION S/40 TRONCHETTO A SALDARE 1"1/2 DUPLEX					CODE VIC040DUPVS048	REV.
 <small>EVERBLUE srl - www.everblue.it - info@everblue.it</small>			MODIFICATION		DATE	BY
			BARCODE		SCALE 1:1	PROJECTION 
REPRODUCTION IS PROHIBITED - ALL RIGHTS RESERVED ACCORDING TO THE LAW						





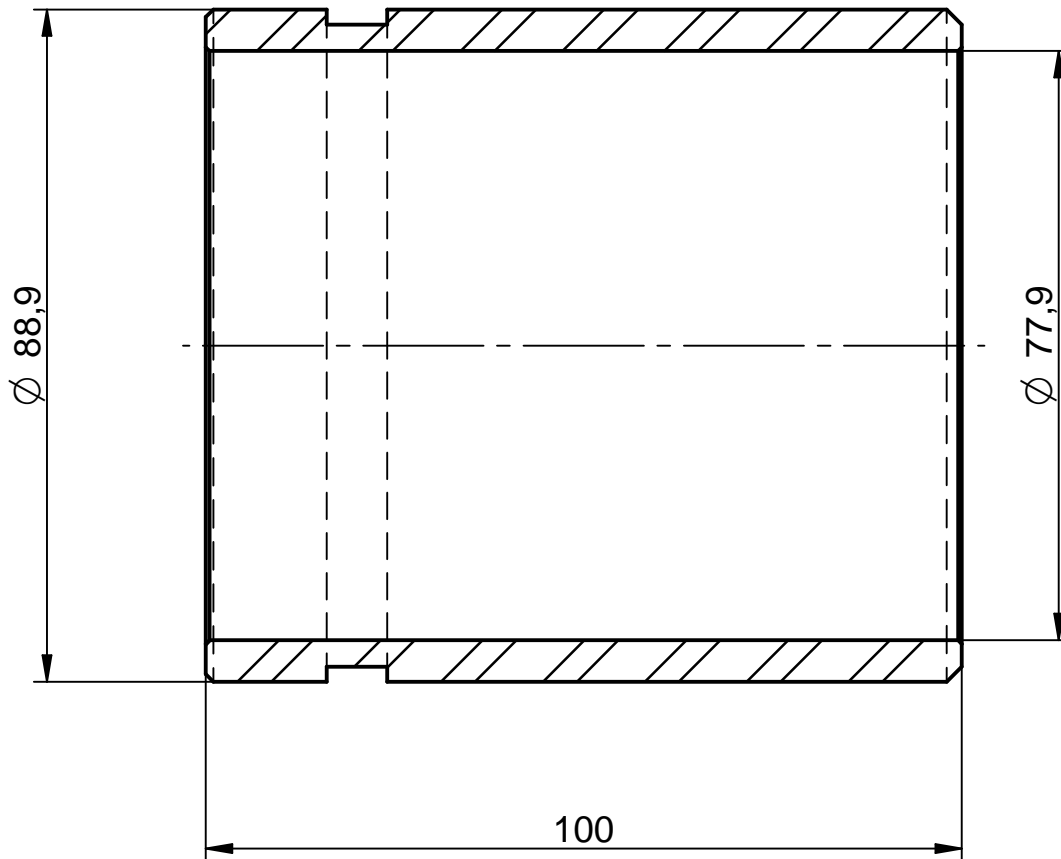
Materiale : TUBO S/S Ø.60,32 x 3,91 SAF2205 DUPLEX

POS.	CODE	DENOMINATION			QUANTITY	MATERIALS	
ALL DIMENSIONS MILLIMETERS	ALL SURFACES FINISH ROUGHNESS IN Ra µm	GENERAL TOLLERANCES UNLESS OTHERWISE SPECIFIED UNI-EN 22768-mK UNI-EN 22768-c			NOT QUOTED FILLET R=0.3 CHAMFER 0.3x45°		
SIMILAR TO	CRITICAL INDEX	WORK ORDER	JOB	QUANTITY	DRAWN DATE 09/09/2020 BY Tecnico	APPROVED DATE - BY -	
DENOMINATION S/40 TRONCHETTO A SALDARE 2" DUPLEX					CODE VIC040DUPVS060		REV.
				MODIFICATION		DATE	BY
				BARCODE		SCALE 1:1	PROJECTION 
<small>EVERBLUE srl www.everblue.it info@everblue.it REPRODUCTION IS PROHIBITED - ALL RIGHTS RESERVED ACCORDING TO THE LAW</small>							





Materiale: TUBO 2"1/2 De73.02x5,16 SAF2205 DUPLEX

POS.	CODE	DENOMINATION			QUANTITY	MATERIALS	
ALL DIMENSIONS MILLIMETERS	ALL SURFACES FINISH ROUGHNESS IN Ra μm	GENERAL TOLLERANCES UNLESS OTHERWISE SPECIFIED UNI-EN 22768-mK UNI-EN 22768-c			NOT QUOTED FILLET R=0.3 CHAMFER 0.3x45°		
SIMILAR TO	CRITICAL INDEX	WORK ORDER	JOB	QUANTITY	DRAWN DATE 09/09/2020 BY Tecnico	APPROVED DATE _ BY _	
DENOMINATION					CODE	REV.	
S/40 TRONCHETTO A SALDARE 2"1/2 DUPLEX					VIC040DUPVS073		
				MODIFICATION		DATE	BY
				BARCODE		SCALE	PROJECTION
REPRODUCTION IS PROHIBITED - ALL RIGHTS RESERVED ACCORDING TO THE LAW						1:1	



Materiale : TUBO S/S D.88,9 x 5,49 SAF2205 DUPLEX

POS.	CODE	DENOMINATION			QUANTITY	MATERIALS
ALL DIMENSIONS MILLIMETERS	ALL SURFACES FINISH ROUGHNESS IN Ra μm	GENERAL TOLLERANCES UNLESS OTHERWISE SPECIFIED UNI-EN 22768-mK UNI-EN 22768-c			NOT QUOTED FILLET R=0.3 CHAMFER 0.3x45°	
SIMILAR TO	CRITICAL INDEX	WORK ORDER	JOB	QUANTITY	DRAWN DATE 29/06/2020 BY Tecnico	APPROVED DATE _ BY _
DENOMINATION S/40 TRONCHETTO A SALDARE 3" DUPLEX					CODE VIC040DUPVS089	REV.
 <small>EVERBLUE srl www.everblue.it info@everblue.it</small>			MODIFICATION		DATE	BY
			BARCODE		SCALE 1:1	PROJECTION 
<small>REPRODUCTION IS PROHIBITED - ALL RIGHTS RESERVED ACCORDING TO THE LAW</small>						