

CARATTERISTICHE - FEATURES

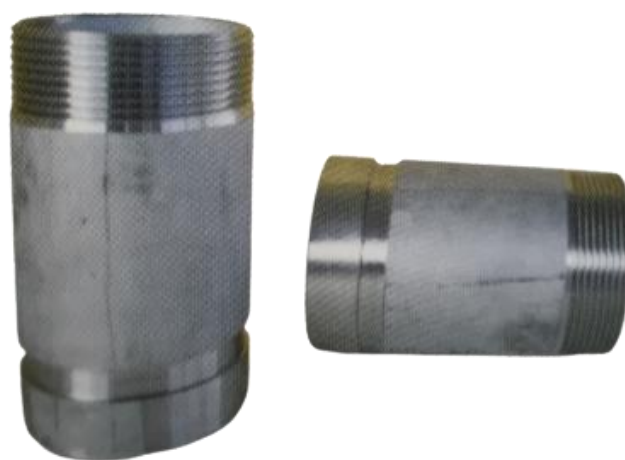
Tipo - Type	Tronchetto Victaulic - filettato gas cilindrica UNI 338-66 <i>Victaulic - threaded pipe gas cylindrical UNI 338-66</i>
Materiale - Material	Acciaio AISI 316 (tubo senza saldatura) <i>AISI 316 Stainless Steel (non welded pipe)</i>

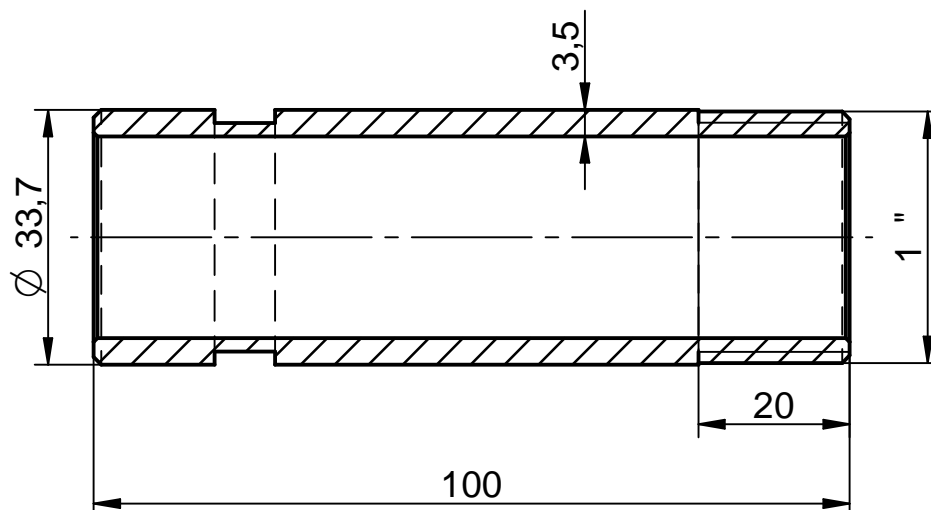
Codice Code	Descrizione Description	Misura Size	Ø est. Ext. Ø mm
VIC042316VF033	Tronchetto Victaulic-filettato in AISI316 Style 42 S/42 <i>AISI316 Victaulic-threaded pipe Style 42 S/42</i>	1" M BSP	33,7
VIC042316VF048	Tronchetto Victaulic-filettato in AISI316 Style 42 S/42 <i>AISI316 Victaulic-threaded pipe Style 42 S/42</i>	1" ½ M BSP	48,3
VIC042316VF060	Tronchetto Victaulic-filettato in AISI316 Style 42 S/42 <i>AISI316 Victaulic-threaded pipe Style 42 S/42</i>	2" M BSP	60,3
VIC042316VF089	Tronchetto Victaulic-filettato in AISI316 Style 42 S/42 <i>AISI316 Victaulic-threaded pipe Style 42 S/42</i>	3" M BSP	88,9

ATTENZIONE: I tronchetti STYLE 42 in AISI 316 sono utilizzabili solo con giunti originali VICTAULIC modello STYLE 75 e STYLE 475



ATTENTION: The pipes STYLE 42 made in AISI 316 must be used only with the original VICTAULIC couplings model STYLE 75 and STYLE 475

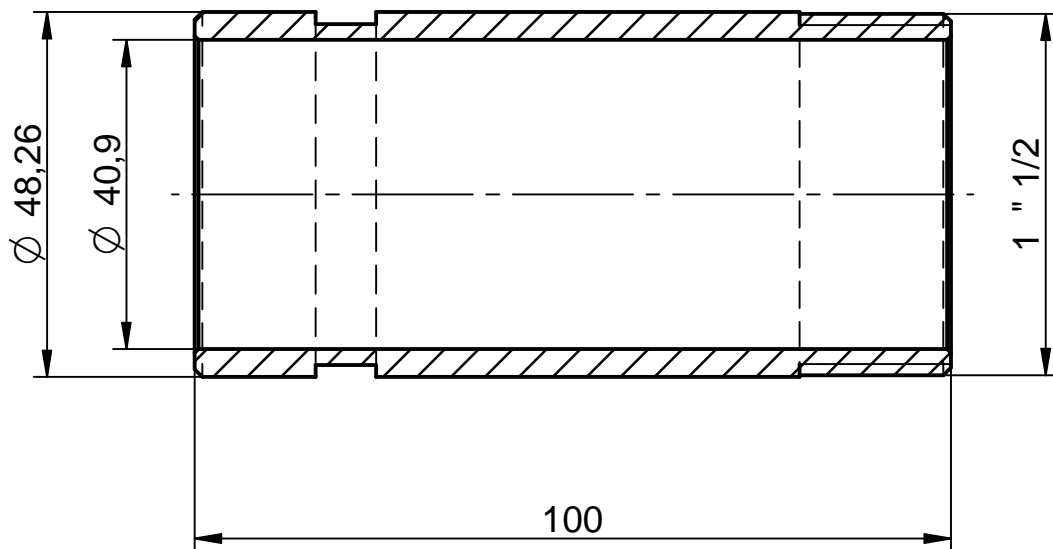
STYLE 42







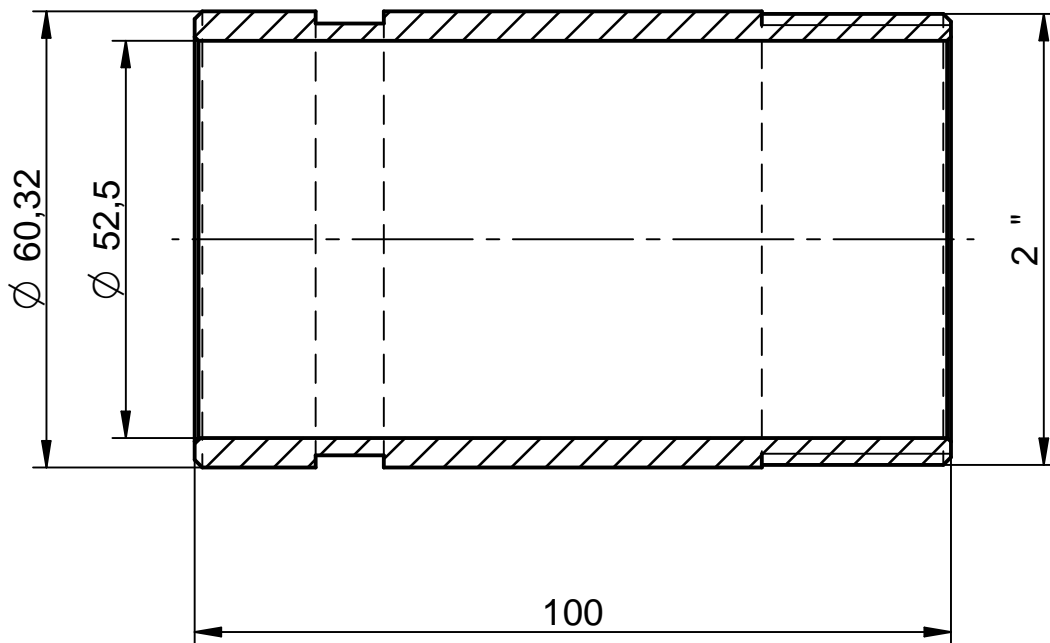
Materiale : TUBO S/S D.33,7 x 3,5 AISI 316

POS.	CODE	DENOMINATION			QUANTITY	MATERIALS	
ALL DIMENSIONS MILLIMETERS	ALL SURFACES FINISH ROUGHNESS IN Ra μm	GENERAL TOLLERANCES UNLESS OTHERWISE SPECIFIED UNI-EN 22768-mK UNI-EN 22768-c			NOT QUOTED FILLET R=0.3 CHAMFER 0.3x45°		
SIMILAR TO	CRITICAL INDEX	WORK ORDER	JOB	QUANTITY	DRAWN DATE 21/02/2019 BY Tecnico	APPROVED DATE - BY -	
DENOMINATION S/42 TRONCHETTO FILETTATO 1" AISI 316					CODE VIC042316VF033		REV.
 <small>EVERBLUE srl www.everblue.it info@everblue.it</small> <small>REPRODUCTION IS PROHIBITED - ALL RIGHTS RESERVED ACCORDING TO THE LAW</small>			MODIFICATION		DATE	BY	
			BARCODE		SCALE 1:1	PROJECTION 	





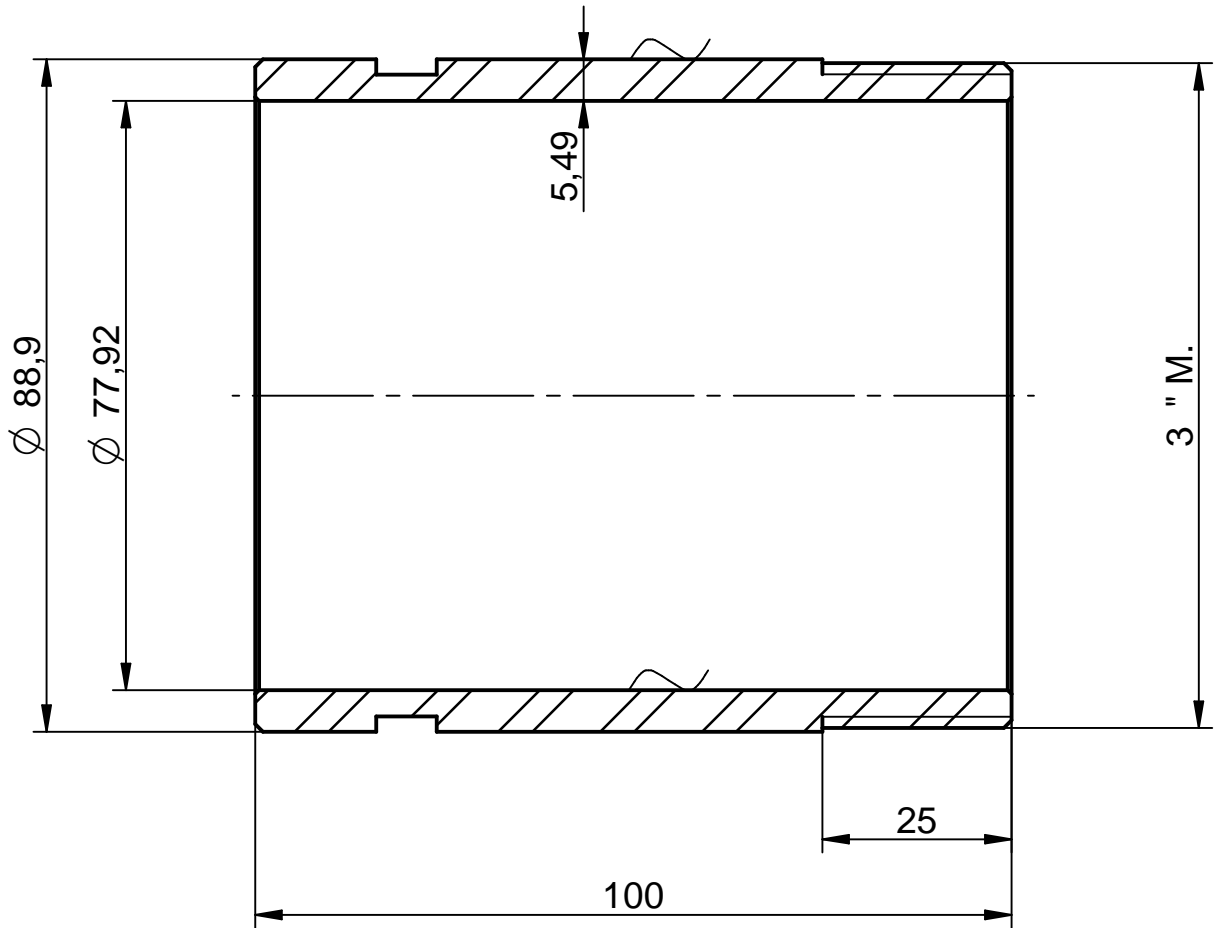
Materiale : TUBO S/S D.48,26 x 3,68 AISI 316

POS.	CODE	DENOMINATION			QUANTITY	MATERIALS	
ALL DIMENSIONS MILLIMETERS	ALL SURFACES FINISH ROUGHNESS IN Ra μm	GENERAL TOLLERANCES UNLESS OTHERWISE SPECIFIED UNI-EN 22768-mK UNI-EN 22768-c			NOT QUOTED FILLET R=0.3 CHAMFER 0.3x45°		
SIMILAR TO	CRITICAL INDEX	WORK ORDER	JOB	QUANTITY	DRAWN DATE 14/01/2016 BY Tecnico	APPROVED DATE - BY -	
DENOMINATION					CODE		REV.
S/42 TRONCHETTO FILETTATO 1"1/2 AISI 316					VIC042316VF048		
 <small>EVERBLUE srl www.everblue.it info@everblue.it</small> <small>REPRODUCTION IS PROHIBITED - ALL RIGHTS RESERVED ACCORDING TO THE LAW</small>			MODIFICATION		DATE	BY	
			BARCODE		SCALE 1:1	PROJECTION 	





Materiale : TUBO S/S $\varnothing 60,32 \times 3,91$ AISI 316

POS.	CODE	DENOMINATION				QUANTITY	MATERIALS
ALL DIMENSIONS MILLIMETERS	ALL SURFACES FINISH ROUGHNESS IN Ra μm	GENERAL TOLLERANCES UNLESS OTHERWISE SPECIFIED UNI-EN 22768-mK UNI-EN 22768-c				NOT QUOTED FILLET R=0.3 CHAMFER 0.3x45°	
SIMILAR TO	CRITICAL INDEX	WORK ORDER	JOB	QUANTITY	DRAWN DATE 14/01/2016 BY Tecnico	APPROVED DATE - BY -	
DENOMINATION S/42 TRONCHETTO FILETTATO 2" AISI 316					CODE VIC042316VF060		REV.
			MODIFICATION			DATE	BY
			BARCODE			SCALE 1:1	PROJECTION 
<small>EVERBLUE srl - www.everblue.it - info@everblue.it REPRODUCTION IS PROHIBITED - ALL RIGHTS RESERVED ACCORDING TO THE LAW</small>							



Materiale: TUBO S/S 88,9x5 AISI 316

POS.	CODE	DENOMINATION			QUANTITY	MATERIALS	
ALL DIMENSIONS MILLIMETERS	ALL SURFACES FINISH ROUGHNESS IN Ra μm	GENERAL TOLLERANCES UNLESS OTHERWISE SPECIFIED UNI-EN 22768-mK UNI-EN 22768-c			NOT QUOTED FILLET R=0.3 CHAMFER 0.3x45°		
SIMILAR TO	CRITICAL INDEX	WORK ORDER	JOB	QUANTITY	DRAWN DATE 19/03/2015 BY GONZATO	APPROVED DATE _ BY _	
DENOMINATION S/42 TRONCHETTO FILETTATO 3" AISI 316					CODE VIC042316VF089		REV.
				MODIFICATION		DATE	BY
				BARCODE		SCALE 1:1	PROJECTION 
<small>EVERBLUE srl www.everblue.it info@everblue.it REPRODUCTION IS PROHIBITED - ALL RIGHTS RESERVED ACCORDING TO THE LAW</small>							